

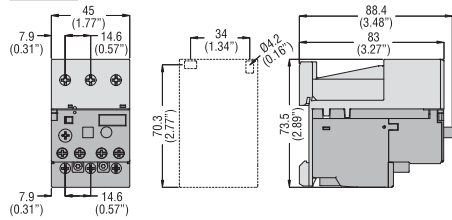
3 Motor protection relays

Dimensions [mm (in)]

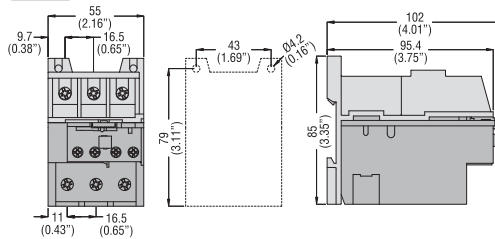
THERMAL OVERLOAD RELAYS DIMENSIONS WITH CONTACTORS SEE ON CHAPTER 2

ACCESSORIES FOR THERMAL OVERLOAD RELAYS

RFX3804 base c/w RF...38 thermal relay

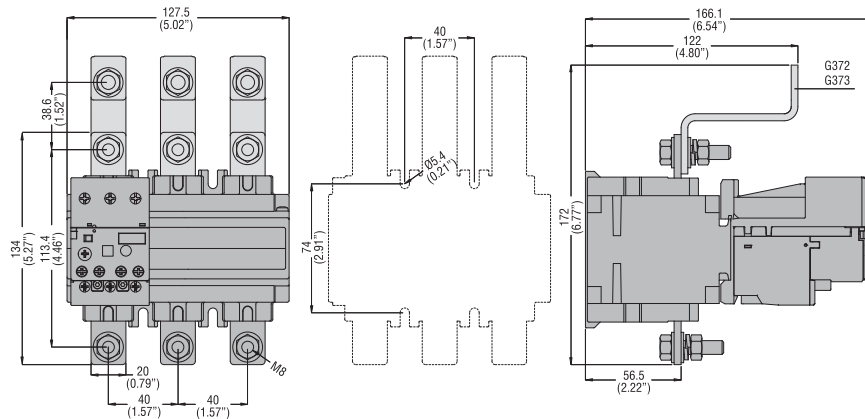


11G270 base c/w RF...82 and RF...110 thermal relay

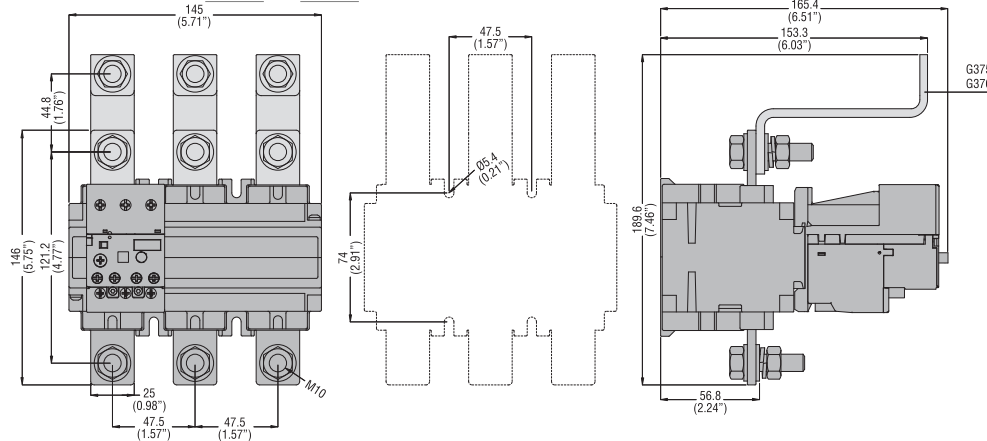


THERMAL RELAYS WITH LINKS

RF...200 with **RFX20035**, **11G372** and **11G373**



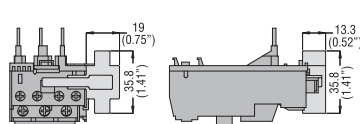
RF...420 with **RFX42035**, **11G375** and **11G376**



ADD-ON BLOCKS FOR THERMAL OVERLOAD RELAYS

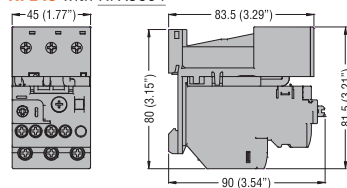
RF...9, RF...82 and RF...110

11G228... reset



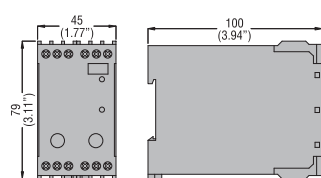
ELECTRONIC THERMAL OVERLOAD RELAYS

RFE45 with RFX3804



THERMISTOR PROTECTION RELAYS

DRPT



CE106 adapter

